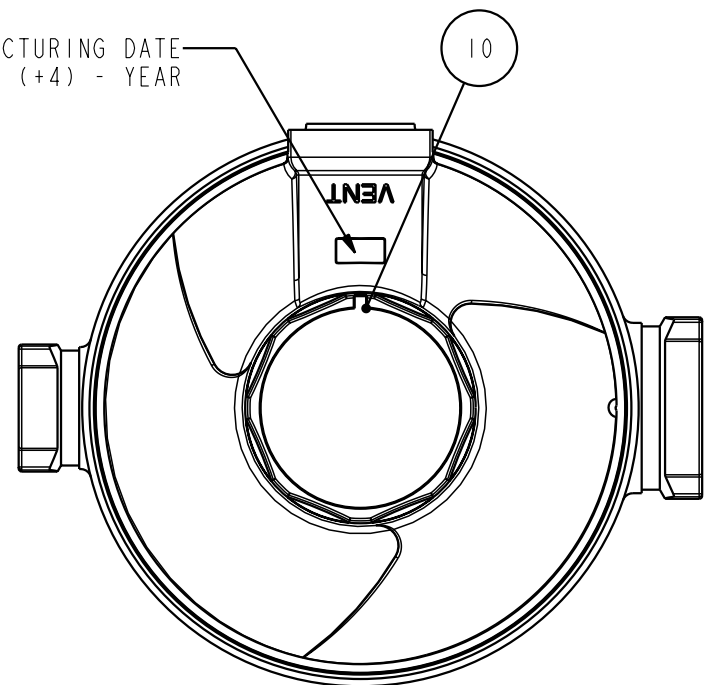



MANUFACTURING DATE  
MONTH (+4) - YEAR



NO	NO PRODUCT	DENOMINATION	Q. TY
1	00-4-150-0065	SCATOLA MOD.73 RAPP.1/3 - (1/4" NPTF - 1/2" NPTF) lavorata	1
2	05-4-110-0020	PIN-LEVER	1
3	02-4-950-0006	S/I LEVETTA MOD.73 EUROPA	1
4	09-4-950-0036	S/I MEMBRANA MOD.73 USA	1
5	01-4-950-0002	S/I COPERCHIO	1
6	07-1-110-0251	MOLLA TARATURA 100 mbar (TIPO738)	1
7	08-4-110-0032	SPRING ADJUSTER	1
8	24-1-110-0032	PAINT RED (RAL 3020)	1
9	19-4-950-0022	S/I TAPPO MOD.73 USA	1
10	18-1-110-1655	TARGETTA REGOLATORE TYPE 738	1
11	23-1-210-0221	IMBALLO REGOLATORE INDIVIDUALE	1
12	23-1-510-0024	STANDARD BOX (R52)	1

 cavagna group	<b>DENOMINATION</b> SECOND STAGE REGULATOR WITH SAFETY					LPG 100 mbar 10 Kg/h	
	<b>MODEL</b> RECA 738	<b>ORIFICE</b> 4.3	<b>INLET</b> 1/4" NPT FEMALE		<b>OUTLET</b> 1/2" NPT FEMALE	<b>SHARED</b> N.A.	<b>PROD. INT. GROUP</b> -
<b>PERFORMANCE DOC.</b> 73-078	<b>COUNTRY</b> ISRAELE	<b>COUNTRY SPECIFIC</b> SI 1921	<b>WEIGHT</b> 0.575	<b>SCALE</b> 4:5	<b>MODIFY FILE</b> 2665	<b>PRODUCT NO</b> 73-1-890-0083	<b>REV</b> 1
<b>PROD. EVOLUTION</b> DEFINITIVE	<b>PROJECT NO</b> 1731-05-1	<b>RELEASE LEVEL</b> APPROVED+	<b>DRAWN BY</b> CIMA C.	<b>VERIFIED BY</b> TOMASELLI L.	<b>APPROVED BY</b> SCHLICK B.	<b>DATE</b> 16/03/09	